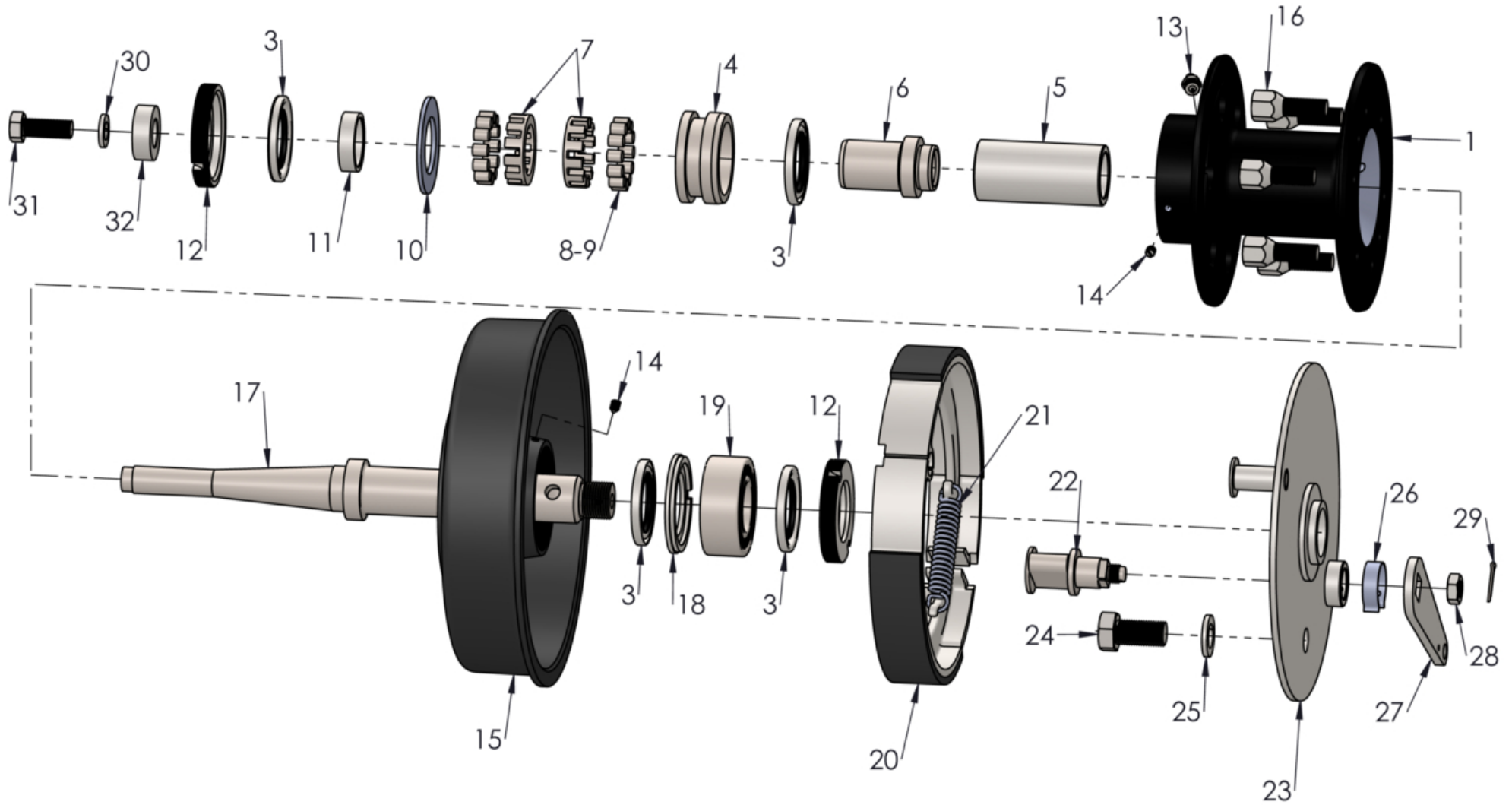


JERRY GREER'S ENGINEERING ©2024

Wheel Hub Assembly - Sidecar

Revised: 1/16/2024



Jerry Greer's Engineering - 1940 Chief - Wheel Hub Assembly - Sidecar

Ref	Part #	Qty	Description	Price
1	JG-3354	1	WHEEL HUB ASSEMBLY, painted black	\$475.00
2	75027	1	WHEEL HUB, includes race and seal installed, painted black	\$400.00
3	37605R	4	NEOPRENE SEAL, hollow axle(improvement)	\$14.00
4	36B317	1	BEARING RACE, outer	\$40.00
5	40845	1	BEARING SUPPORT SPACER, inner roller bearing race	\$13.00
6	41273	1	BEARING SUPPORT, inner roller bearing	\$42.00
7	27B181	2	CAGE, 1.450" O.D., Holds 12 rollers	\$45.00
8	16A15-T	24	BEARING ROLLER, .2495" Dia. recommended when using ALL NEW PARTS	\$0.50
9	16A15	24	BEARING ROLLER, .2500" Dia.	\$0.50
10	37615	1	THRUST WASHER, 1.995" O.D .090" thick, outer roller bearing	\$6.25
11	41275	1	RETAINER, outer roller bearing thrust washer	\$7.25
12	37388	2	BEARING NUT, 2.117" O.D, RH; Cad Plated	\$25.00
13	416002	1	GREASE FITTING, 5/16"-32 X .25", straight; Cad Plated	\$3.50
14	37277	2	SET SCREW, #10-32 X .261" long, pointed, or use cotter pin 636104	\$4.75
15	75037	1	BRAKE DRUM,	\$350.00
16	37276	6	LUG BOLT, 3/8"-24; Cad Plated	\$8.25
17	42793	1	AXLE, need to purchase E60350 to match thread pitch	\$100.00
18	40847	1	SPACER, inside brake drum	\$18.00
19	40446	1	BALL BEARING, double row, shielded and lifetime lubricated	\$40.00
20	76247	1	BRAKE SHOES, reconditioned lining, \$90.00 with approved core exchange	\$140.00
21	36B290	2	BRAKE SHOE SPRING, 2.110" long	\$4.00
22	41001	1	BRAKE CAM, 1.986" long, square drive	\$80.00
23	75639	1	BRAKE BACKING PLATE, steel; Bare Finish	\$150.00
24	207413	1	BOLT, 1/2"-20 X 1"(Hex)	\$6.50
25	922010	1	WASHER, 1/2" Split Lock; Cad Plated	\$0.75
26	35B459	1	BRAKE CAM LUBRICATION COVER, .312" thick; Cad Plated	\$8.50
27	36B225	1	BRAKE ARM,	\$16.75
28	605012	1	NUT, 3/8"-24(Jam)	\$1.00

Jerry Greer's Engineering - 1940 Chief - Wheel Hub Assembly - Sidecar

Ref	Part #	Qty	Description	Price
29	636004	1	COTTER PIN, 1/16" X 1/2"	\$0.50
30	922008	1	WASHER, 3/8" Split Lock; Cad Plated	\$0.75
31	207212	1	BOLT, 3/8"-24 X .875"(Hex)	\$3.00
32	40855	1	SPACER, .375" thick, Left front wheel axle, located between rocker arm and wheel hub; Cad Plated	\$8.00