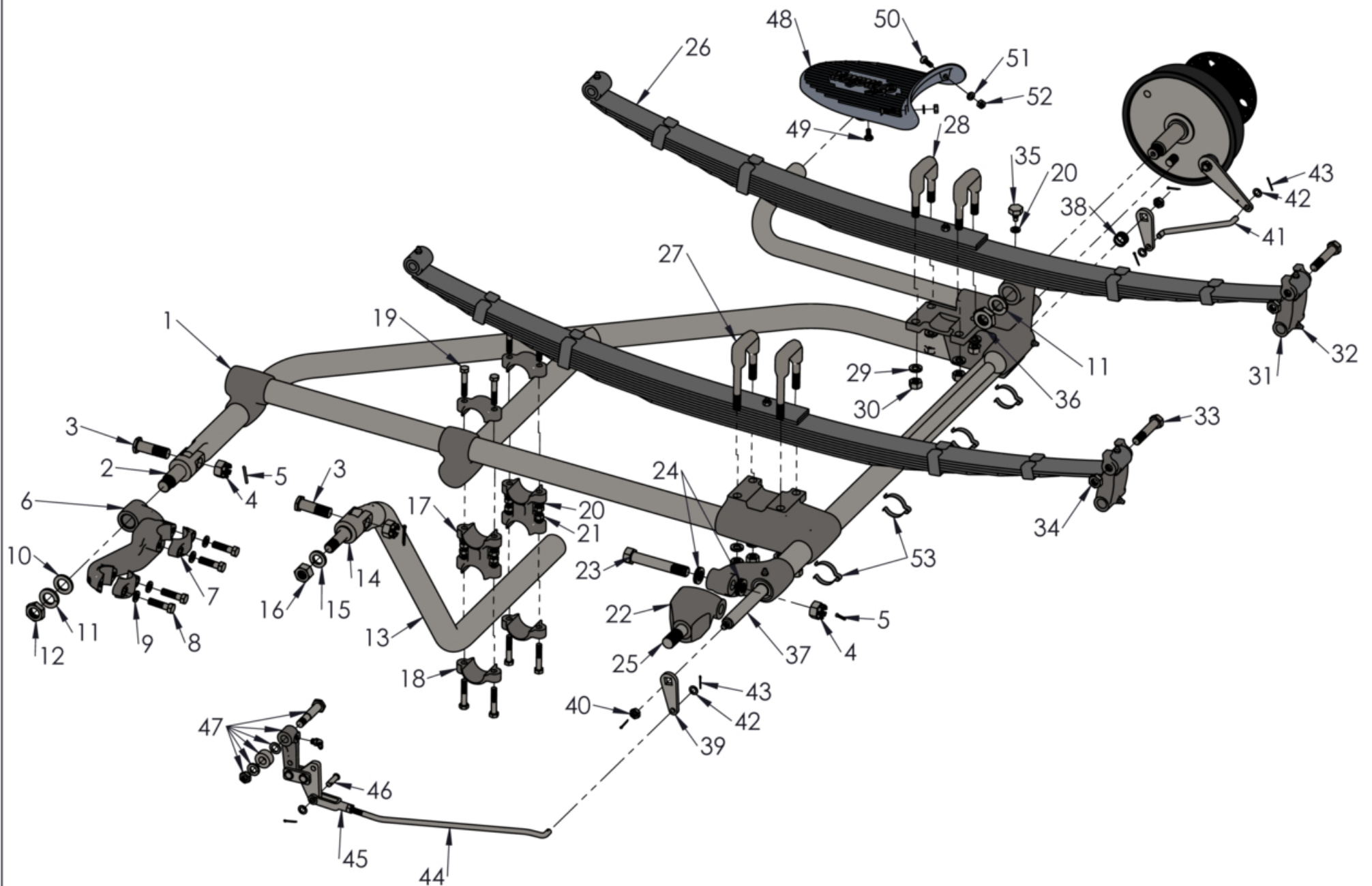


# JERRY GREER'S ENGINEERING ©2020

Sidecar Assembly

Revised: 11/10/2020



## Jerry Greer's Engineering - 1940 Chief - Sidecar Frame Assembly

Ref	Part #	Qty	Description	Price
1	93173	1	SIDECAR FRAME	currently unavailable
2	42808	1	CLEVIS,	\$95.00
3	27B195	2	BRACE & CLEVIS BOLT, 5/8"-18 X 2.00"	\$38.50
4	603020	3	NUT, 5/8"-18(Castle); Cad Plated	\$7.75
5	636208	5	COTTER PIN, 1/8" X 1"	\$0.50
6	86391	1	FRONT CONNECTION CLAMP	\$225.00
7	42811	2	CONNECTING BRACE CLAMP	\$65.00
8	207216	4	BOLT, 3/8"-24 X 1.375"(Hex)	\$4.00
9	922008	4	WASHER, 3/8" Split Lock; Cad Plated	\$0.75
10	22B260	1	WASHER, 1.261" O.D, 0.120" thick; Cad Plated	\$5.00
11	922014	2	WASHER, 3/4" Split Lock; Cad Plated	\$2.00
12	605022	1	NUT, 3/4"-16(Jam)	\$6.00
13	93315	1	SIDECAR BRACE,	\$100.00
14	43546	1	UPPER CLEVIS	\$95.00
15	922012	1	WASHER, 5/8" Split Lock; Cad Plated	\$1.00
16	606020	1	NUT, 5/8"-18(Hex), 15/16 Flats; Cad Plated	\$5.75
17	42943	2	FRAME CONNECTION	currently unavailable
18	42944	4	CONNECTING BRACE CLAMP	currently unavailable
19	207119	8	BOLT, 5/16"-24 X 1.750"(Hex)	\$3.75
20	922007	9	WASHER, 5/16" Split Lock; Cad Plated	\$0.75
21	606010	8	NUT, 5/16"-24(Hex); Cad Plated	\$1.25
22	42809	1	REAR CLEVIS,	\$175.00
23	45113	1	BOLT, 5/8"-18 X 3.75"(Hex)	\$28.00
24	22B78	5	BRAKE CROSS SHAFT WASHER, .644" I.D, .090" thick; Cad Plated (NOTE: qty 2 for 36 ~ 39 and qty 1 for 40 ~ 42 - left only)	\$5.50
25	45088	1	BOLT, 3/4"-16 X 2.37	\$18.50
26	75640	2	SPRING, sidecar body	currently unavailable

## Jerry Greer's Engineering - 1940 Chief - Sidecar Frame Assembly

Ref	Part #	Qty	Description	Price
27	42784	2	SPRING CLIP,	currently unavailable
28	42783	2	SPRING CLIP	currently unavailable
29	922009	9	WASHER, 7/16" Split Lock; Cad Plated	\$0.50
30	606014	8	NUT, 7/16"-20(Hex); Cad Plated	\$1.00
31	75561	2	LEAF SPRING SHACKLE	currently unavailable
32	416002	2	GREASE FITTING, 5/16"-32 X .25", straight; Cad Plated	\$3.50
33	45084	2	BOLT, 1/2"-20 X .250"(Hex)	\$22.00
34	605016	2	NUT, 1/2"-20(Jam)	\$2.50
35	45097	1	AXLE SCREW, 5/16"-24	\$11.50
36	E60350	1	NUT, 3/4"-16(Hex); Cad Plated	\$5.00
37	42842	1	BRAKE CROSS SHAFT,	\$65.00
38	26B207	1	SPRING, brake shaft lever	\$9.50
39	23B104	2	BRAKE ARM,	\$15.00
40	605012	2	NUT, 3/8"-24(Jam)	\$1.00
41	40958	1	BRAKE ROD,	\$40.00
42	D24275	4	FLAT WASHER, .328" I.D, .022" Thick; Stainless	\$0.50
43	636104	6	COTTER PIN, 3/32" X 1/2"	\$1.00
44	76470	1	EQUALIZER LEVER ROD,	\$60.00
45	24B6	1	CLEVIS, release rod; Cad Plated	\$12.00
46	24B7	1	CLEVIS PIN, 5/16" X 1"; Cad Plated	\$5.25
47	JG-4940	1	EQUALIZER ASSEMBLY,	\$225.00
48	86322	1	SIDECAR STEP	currently unavailable
49	206007	1	BOLT, 1/4"-20 X .500"(Hex), Cad Plated	\$2.50
50	750612	2	SCREW, 1/4"-20 X .875"(Flat Head), Cad Plated	\$1.25
51	922006	2	WASHER, 1/4" Split Lock; Cad Plated	\$0.75
52	JG-3480	2	NUT, 1/4"-20(Hex)	\$0.75

## Jerry Greer's Engineering - 1940 Chief - Sidecar Frame Assembly

Ref	Part #	Qty	Description	Price
53	JG-4819	4	WIRE CLAMP,	\$18.00