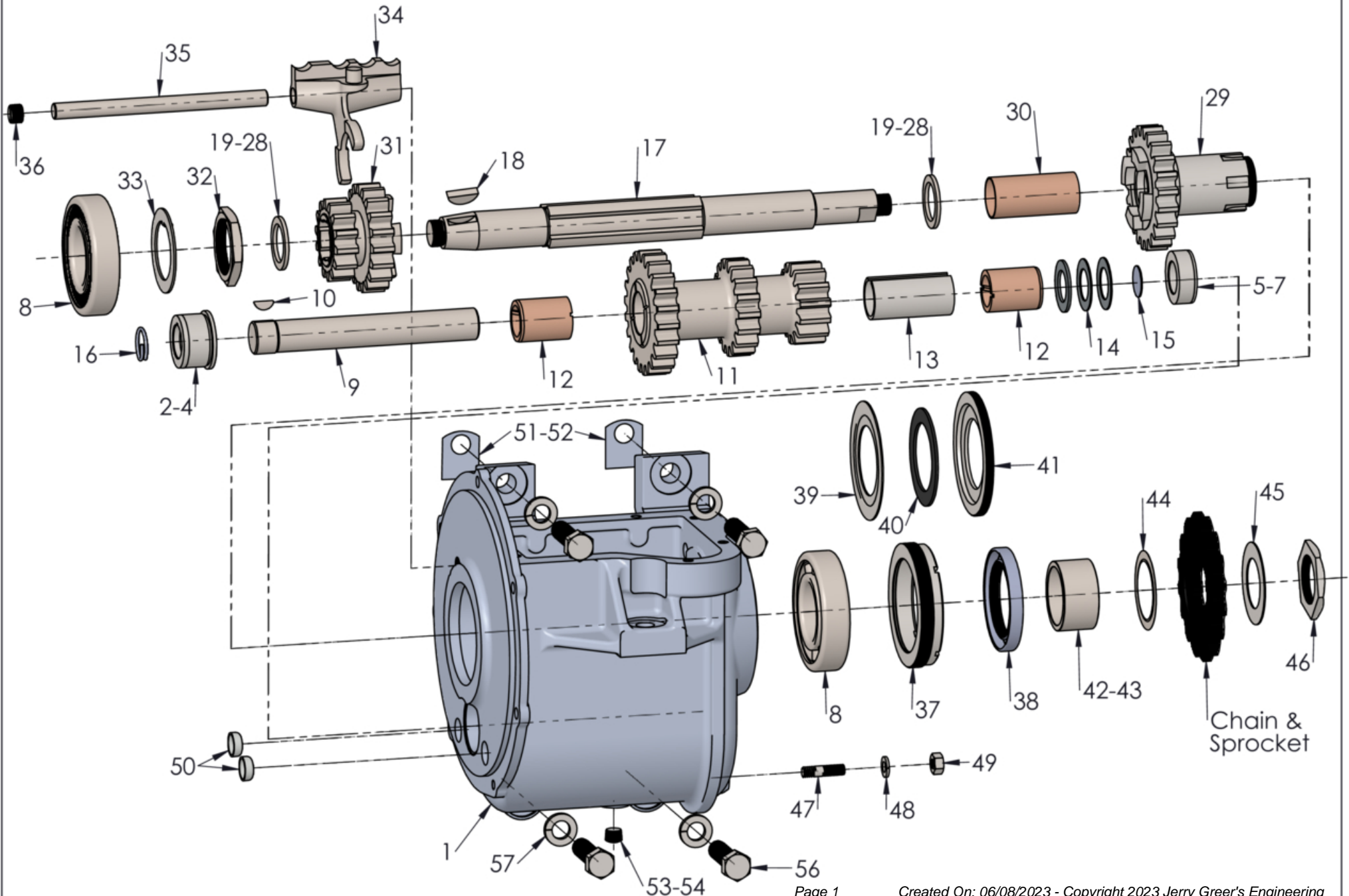


# JERRY GREER'S ENGINEERING ©2020

Transmission

Revised: 9/22/2020



## Jerry Greer's Engineering - 1940 Chief - Transmission

Ref	Part #	Qty	Description	Price
1	85384	1	TRANSMISSION CASE, includes counter shaft bushings	currently unavailable
2	JG-2471	1	COUNTERSHAFT BUSHING, 1.253" O.D. (.003" oversize), .776" long, stepped, LH	\$20.00
3	JG-2472	1	COUNTERSHAFT BUSHING, 1.257" O.D. (.007" oversize), .776" long, stepped, LH	\$20.00
4	JG-2473	1	COUNTERSHAFT BUSHING, 1.325" O.D. (.075" oversize), .776" long, stepped, LH	\$20.00
5	JG-2468	1	COUNTERSHAFT BUSHING, 1.253" O.D. (.003" oversize), .433" long, plain, RH	\$12.00
6	JG-2469	1	COUNTERSHAFT BUSHING, 1.257" O.D. (.007" oversize), .433" long, plain, RH	\$12.00
7	JG-2470	1	COUNTERSHAFT BUSHING, 1.325" O.D. (.075" oversize), .433" long, plain, RH	\$14.00
8	39923	2	BALL BEARING, transmission main, sealed on clutch side	\$28.00
9	22B44	1	COUNTERSHAFT, transmission	\$40.00
10	538008	1	KEY, 3/32 X 1/2(Woodruff)	\$0.75
11	38062	1	COUNTERSHAFT GEAR, cluster, Must purchase 38020, Made In USA	\$290.00
12	19A59	2	COUNTERSHAFT GEAR BUSHING, MUST be honed to fit countershaft	\$16.00
13	19A49	1	COUNTERSHAFT GEAR BUSHING SPACER,	\$18.50
14	JG-2479	1	THRUST WASHERS, countershaft gear	\$13.00
15	40821	1	SEAL, .740" O.D; countershaft	\$0.75
16	22B45	1	COUNTERSHAFT RETAINING WIRE,	\$3.50
17	75545	1	MAIN SHAFT, transmission	\$225.00
18	538115	1	KEY, 3/16 X 3/4(Woodruff)	\$0.75
19	JG-2795	A/R	THRUST WASHER, .916" I.D, .060", Transmission Gears & Shaft	\$6.50
20	JG-2890	A/R	THRUST WASHER, .916" I.D, .065", Transmission Gears & Shaft	\$6.50
21	JG-2796	A/R	THRUST WASHER, .916" I.D, .070", Transmission Gears & Shaft	\$7.00
22	JG-2891	A/R	THRUST WASHER, .916" I.D, .075", Transmission Gears & Shaft	\$6.50
23	JG-2797	A/R	THRUST WASHER, .916" I.D, .080", Transmission Gears & Shaft	\$6.50
24	39695	A/R	THRUST WASHER, .916" I.D, .085", Transmission Gears & Shaft	\$6.50
25	20B195	A/R	THRUST WASHER, .916" I.D, .090", Transmission Gears & Shaft	\$6.50
26	20B18	A/R	THRUST WASHER, .916" I.D, .096", Transmission Gears & Shaft	\$6.50
27	39696	A/R	THRUST WASHER, .916" I.D, .101", Transmission Gears & Shaft	\$6.50

## Jerry Greer's Engineering - 1940 Chief - Transmission

Ref	Part #	Qty	Description	Price
28	39697	A/R	THRUST WASHER, .916" I.D, .106", Transmission Gears & Shaft	\$6.50
29	75576	1	GEAR, sprocket driver, includes bushing	\$220.00
30	42574	1	BUSHING, sprocket driver gear	\$12.00
31	38020	1	GEAR, slider, Must purchase 38062, Made in USA	\$240.00
32	20B20	1	CLUTCH SPROCKET NUT, 1-3/8"-24(Hex)	\$9.75
33	20B62	1	TAB WASHER, 1-3/8" internal clutch sprocket	\$5.50
34	22C2	1	SHIFTER FORK, forging(Sold used, as is)	\$75.00
35	22B48	1	SHIFTER FORK SHAFT, .375" Dia.	\$15.00
36	20B29	1	SHIFTER FORK RETAINING SCREW,	\$5.00
37	730006	1	LOCK NUT, for bearing and neoprene seal (improvement for older Chiefs and and scouts, Machining required for scout reference with 319030)	\$28.00
38	762010	1	NEOPRENE SEAL, use with 730006	\$13.00
39	20B15	1	RETAINER, for felt seal, use with 16A164 and 20B17	\$12.50
40	16A164	1	FELT SEAL, 2.313" O.D X .062" thick, use with 20B15 and 20B17	\$2.25
41	20B17	1	LOCK NUT, for bearing and felt seal, use with 20B15 and 16A164	\$30.00
42	42498	1	COLLAR, 1.650" O.D X .850" long	\$18.00
43	319030	1	COLLAR, 1.625" O.D X .850" long, for neoprene seal, shorten to .600 long to use with 730006 for scout application	\$20.00
44	17A363	1	SHIM, .005" thick, clutch sprocket	\$4.00
45	37647	1	DRIVE SPROCKET WASHER, 1.192" I.D; Cad Plated	\$2.75
46	F35230	1	DRIVE SPROCKET NUT,	\$14.00
47	20B410	1	CHAIN GUARD STUD, 1/4"-20 X 1/4"-28 X 1"; Bare Finish	\$4.50
48	922006	1	WASHER, 1/4" Split Lock; Cad Plated	\$0.75
49	606008	1	NUT, 1/4"-28(Hex); Cad Plated	\$0.75
50	JG-2279	2	PLUG, 9/16", expansion, transmission case oil sealing only	\$2.50
51	22B59	4	TRANSMISSION CASE SHIM, .003" thick	\$4.00
52	22B60	4	TRANSMISSION CASE SHIM, .005" thick	\$4.00
53	661001	1	PLUG, 1/8"NPT(Slotted)	\$4.00
54	JG-2484	A/R	PLUG, 1/8" pipe thread(Hex), oil drain and level check, Magnetic; Cad Plated	\$7.00

## Jerry Greer's Engineering - 1940 Chief - Transmission

<b>Ref</b>	<b>Part #</b>	<b>Qty</b>	<b>Description</b>	<b>Price</b>
55	JG-2475	1	FASTENERS, transmission case to crankcase	\$22.00
56	206315	4	BOLT, 7/16"-14 X 1.500"(Hex)	\$5.50
57	922009	4	WASHER, 7/16" Split Lock; Cad Plated	\$0.50