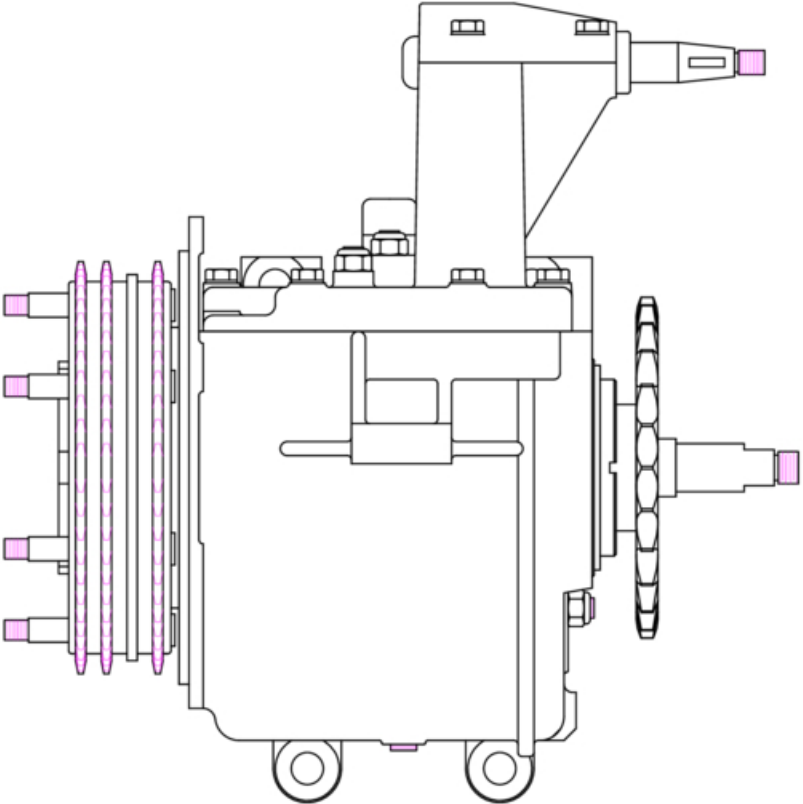
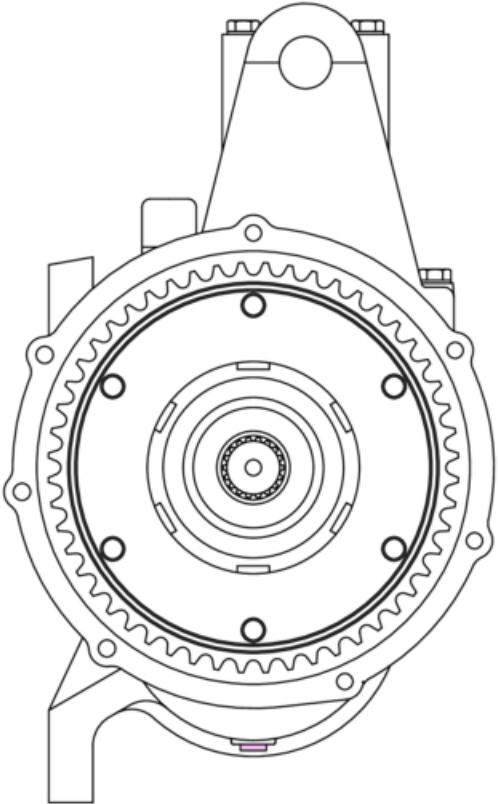


JERRY GREER'S ENGINEERING © 2020

Transmission Overdrive - 4 Speed

Revised: 10-21-2020



## Jerry Greer's Engineering - 1940 Chief - Transmission Overdrive - 4 Speed

Ref	Part #	Qty	Description	Price
1	JG-3547	1	4 SPEED OVERDRIVE, 24 TOOTH LOW RATIO, Made In USA, SPECIAL ORDER ONLY	currently unavailable
2	JG-4181	1	DRIVE SPROCKET, 21 teeth, 4 speed overdrive	\$80.00
3	JG-4182	1	DRIVE SPROCKET, 22 teeth, 4 speed overdrive	currently unavailable
4	JG-4713	1	DRIVE SPROCKET, 23 teeth, 4 speed overdrive	currently unavailable
5	JG-4180	1	DRIVE SPROCKET, 24 teeth, 4 speed overdrive	currently unavailable
6	JG-4642	1	DRIVE SPROCKET, 25 teeth, 4 speed overdrive	currently unavailable
7	JG-4183	1	DRIVE SPROCKET, 26 teeth, 4 speed overdrive	\$80.00
8	JG-4184	1	(30004)SPROCKET NUT, 4 speed overdrive	currently unavailable
9	JG-4236	1	(30049)CLUTCH CORE, 4 speed overdrive	currently unavailable
10	JG-4237	1	(30035)RETAINING RING, 4 speed overdrive	currently unavailable
11	JG-4238	1	(30040)RETAINING RING, 4 speed overdrive	currently unavailable
12	JG-4297	1	(30007)CLUTCH TAB WASHER, 4 speed overdrive	\$5.00
13	JG-4298	1	(30074)SPROCKET TAB WASHER, 4 speed overdrive	\$3.50
14	JG-4599	1	(30045)SEAL, clutch hub to case(outer)	\$8.00
15	JG-4600	1	(30048)SEAL, Clutch hub to main shaft(inner)	\$3.25
16	JG-5012	1	(30006)NUT, Clutch shell basket	\$17.00
17	JG-5097	1	(30020)BEARING,	currently unavailable
18	JG-5018	1	(30021)KEY	currently unavailable
19	JG-5093	1	(30054)BEARING,	\$42.00
20	JG-5094	1	(30055)NEEDLE BEARING, 1.260" I.D	\$13.00
21	JG-5095	1	(30057)NEEDLE THRUST BEARING	\$7.60

## Jerry Greer's Engineering - 1940 Chief - Transmission Overdrive - 4 Speed

Ref	Part #	Qty	Description	Price
22	JG-5020	1	(30065) RETAINING RING,	currently unavailable
23	JG-5021	1	(30066)RETAINING RING, 1-1/4 bore	currently unavailable
24	JG-5096	1	(30067)NEEDLE BEARING	\$11.25
25	JG-5022	1	(30069)SEAL,	\$2.70
26	JG-5023	1	(30073)OIL SEAL,	\$15.00
27	JG-5024	1	(30075)RETAINING RING, internal	currently unavailable
28	JG-5025	1	(30076)O-RING,	\$6.70
29	JG-5027	1	(30078)MAGNETIC PLUG,	currently unavailable
30	JG-5028	1	(30106)BEARING RETAINER, series 2	currently unavailable
31	JG-5019	1	(30003-2)SECOND GEAR PINION, 26T	currently unavailable
32	JG-5026	1	(30013-2)LAYSHAFT DRIVE END, 28T	currently unavailable
33	JG-5017	1	(30043)TRANSMISSION SHIM KIT,	currently unavailable