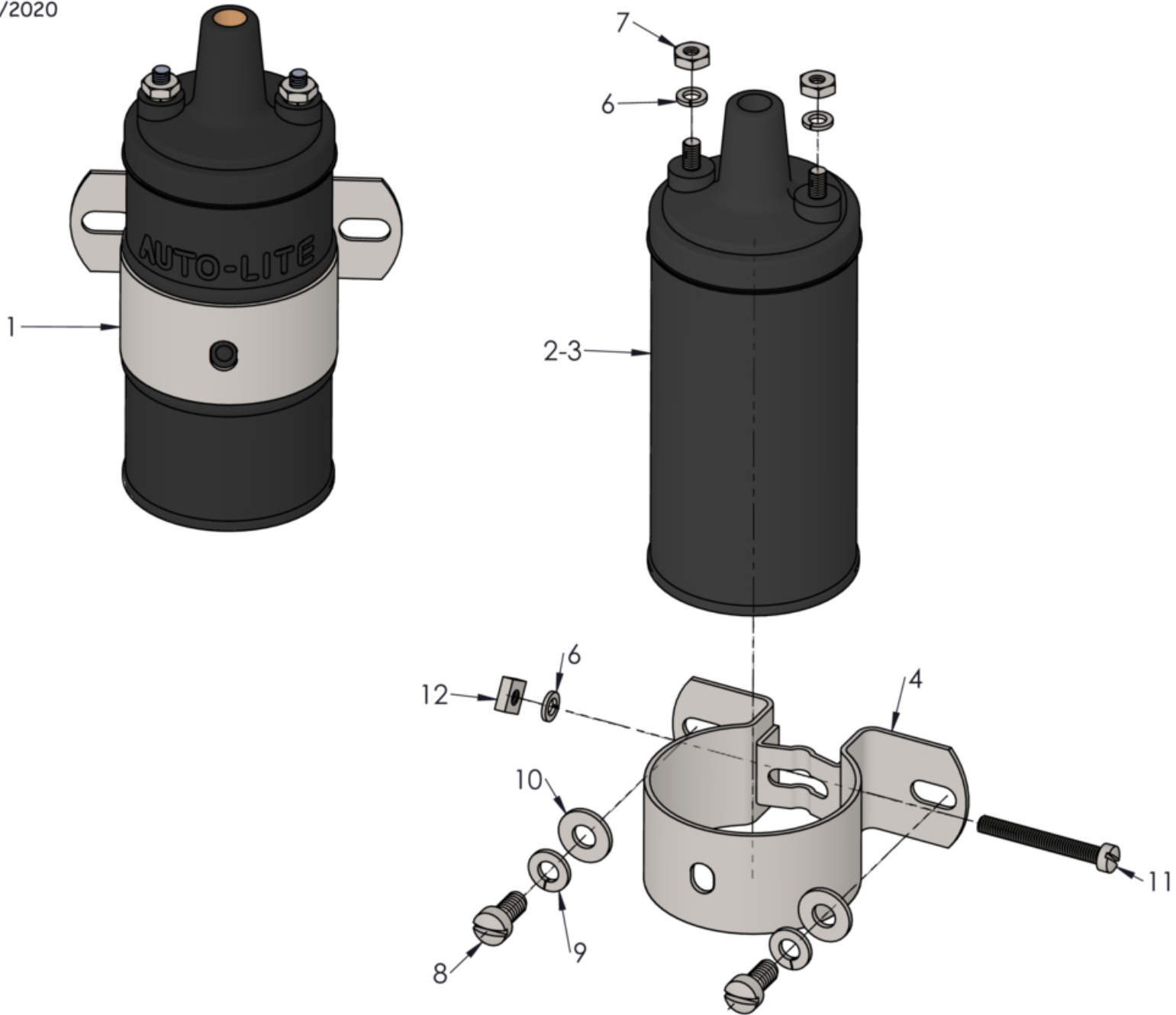


JERRY GREER'S ENGINEERING ©2020

Ignition Coil
Revised: 10/22/2020



Jerry Greer's Engineering - 1940 Chief - Ignition Coils

Ref	Part #	Qty	Description	Price
1	74160	1	IGNITION COIL, 6-Volt, "Autolite", mounting bracket included; NOS	currently unavailable
2	JG-2562	1	IGNITION COIL, 6-Volt, internal resistor, mounting bracket not included	\$45.00
3	JG-3423	1	IGNITION COIL, 12-Volt, internal resistor, mounting bracket not included	\$60.00
4	JG-2561	1	IGNITION COIL BRACKET,	\$24.00
5	JG-2419	1	FASTENERS, Ignition coil bracket	\$10.00
6	922004	3	WASHER, #10 Split Lock; Cad Plated	\$0.75
7	604005	2	NUT, #10-32(Hex)Cad Plated	\$0.50
8	751607	2	SCREW, 1/4"-20 X .500"(Fillister Head)	\$1.00
9	922006	2	WASHER, 1/4" Split Lock; Cad Plated	\$0.75
10	920006	2	WASHER, 1/4" Flat; Cad Plated	\$0.75
11	100633	1	SCREW, #10-32 X 1.500"(Fillister Head), Cad Plated	\$2.00
12	100634	1	NUT, #10-32(Square), Cad Plated	\$0.75