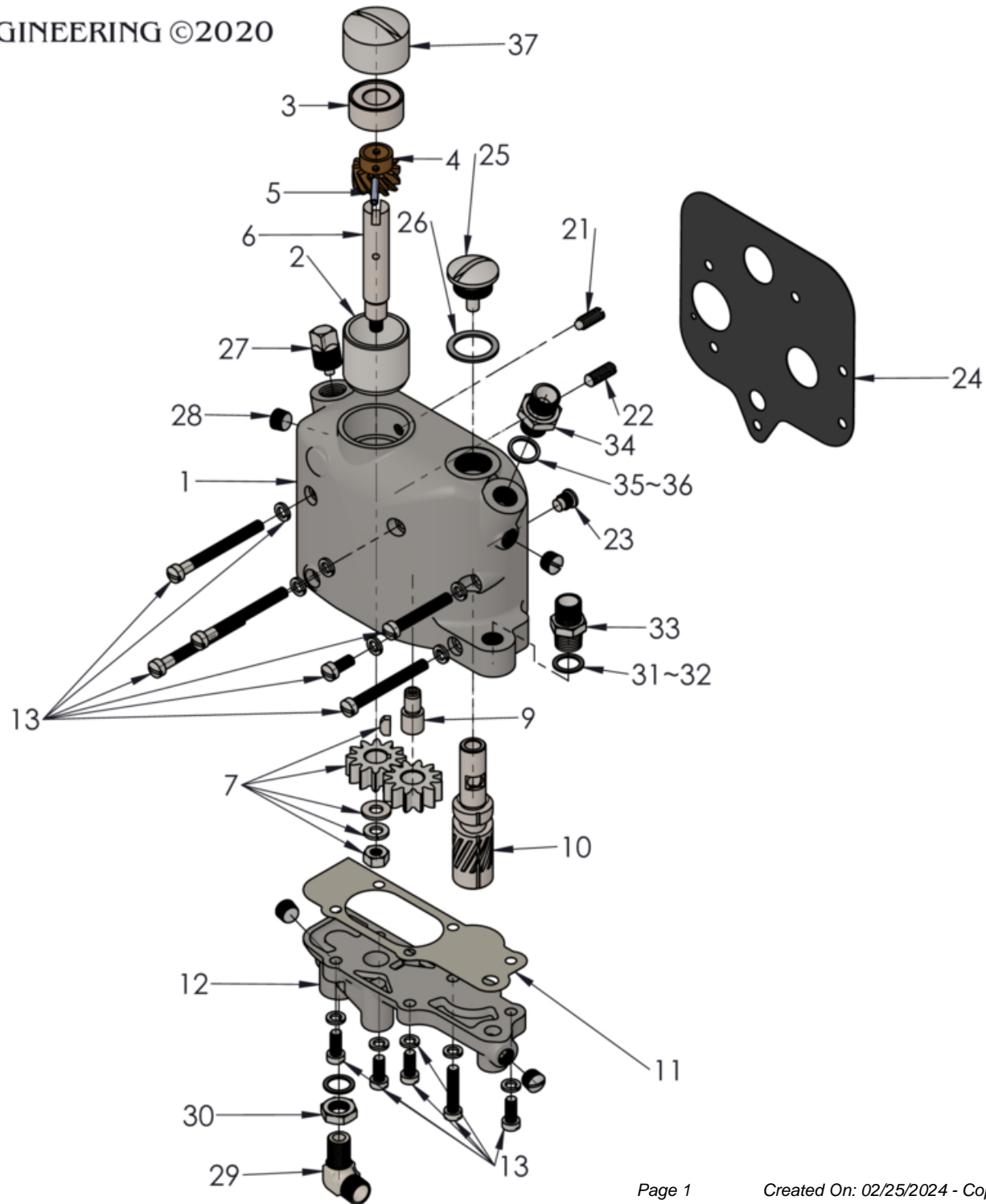


JERRY GREER'S ENGINEERING ©2020

Oil Pump - Cast Iron
Revised: 10/27/2020



Jerry Greer's Engineering - 1940 Chief - Oil Pump - Cast Iron

Ref	Part #	Qty	Description	Price
1	86863	1	CAST IRON OIL PUMP, assembly, (distributor models)	currently unavailable
2	41373	1	DISTRIBUTOR SLEEVE, 1.143" long; Cad Plated	\$18.00
3	41372	1	BUSHING, distributor drive shaft	\$15.00
4	101030	1	GEAR, distributor, 11 tooth, left hand gear	\$80.00
5	101031	1	PIN, 1/8" X 3/4" roll pin, (replaces rivet)	\$1.50
6	41369	1	RETURN GEAR PUMP DRIVE SHAFT,	\$32.50
7	JG-2361	1	SCAVENGE GEARS, return pump drive and driven	\$75.00
8	36B37	1	KEY, Special	\$3.50
9	41496	1	IDLER GEAR SHAFT, return pump	\$19.50
10	41356	1	PLUNGER FEED PUMP, .503 O.D	\$175.00
11	JG-2411	1	GASKETS, Cast Iron Oil Pump lower body cover	\$4.00
12	75202	1	OIL PUMP LOWER BODY COVER;	currently unavailable
13	JG-2362	1	FASTENERS, Cast Iron Oil Pump body	\$30.00
14	751523	3	SCREW, #12-24 X 2.250"(Fillister Head)	\$3.75
15	751521	1	SCREW, #12-24 X 2"(Fillister Head)	\$3.00
16	751517	1	SCREW, #12-24 X 1.500"(Fillister Head)	\$1.00
17	751513	1	SCREW, #12-24 X 1"(Fillister Head)	\$1.75
18	751509	4	SCREW, #12-24 X .625"(Fillister Head)	\$1.75
19	751507	1	SCREW, #12-24 X .500"(Fillister Head)	\$1.25
20	922005	11	WASHER, #12 Split Lock; Cad Plated	\$0.75
21	45009	1	SET SCREW, 1/4"-20 X 1.250"(Blunt nose), sleeve to housing	\$6.50
22	45010	1	SET SCREW, 1/4"20 X 0.750"(Pointed Nose), bushing to housing	\$8.50
23	42542	1	PLUNGER GUIDE SCREW, 5/16"-24 X .378" long	\$13.00
24	41374	1	GASKET, cast iron oil pump to cam case cover	\$3.00
25	41367	1	PLUNGER FEED CAP, with rod; Cad Plated	\$25.00
26	37620	1	WASHER, 3/4", .050" thick, plunger feed cap; Lead	\$3.00
27	36B269	1	PLUG, 1/4" NPT(Square Head), Magnet; Cad Plated	\$7.25

Jerry Greer's Engineering - 1940 Chief - Oil Pump - Cast Iron

Ref	Part #	Qty	Description	Price
28	661001	4	PLUG, 1/8"NPT(Slotted)	\$4.00
29	24B16	1	ELBOW, 7/16"-24 X 1/2"-24 (5/16" hole); Nickel Plated	\$19.50
30	24B17	1	NUT, 7/16"-24(Hex); Cad Plated	\$2.50
31	A21120	2	WASHER, 7/16", .031" thick, Lead	\$1.50
32	37569	2	WASHERS, 7/16", includes lead and copper washer	\$5.50
33	41819	1	NIPPLE, 7/16"-24 x 1/2"-24, 1.03" long, (5/16" hole), body return tube; Cad Plated	\$12.00
34	41818	1	NIPPLE, 1/2"-24 X 9/16"-24 1.04" long; Cad Plated	\$12.00
35	937003	1	WASHERS, 1/2" includes lead and copper washers	\$4.75
36	37523	1	WASHER, 1/2" I.D, .055" thick, Flat, lead	\$2.00
37	41366	1	DISTRIBUTOR HOLE CAP, Cad Plated	\$28.00