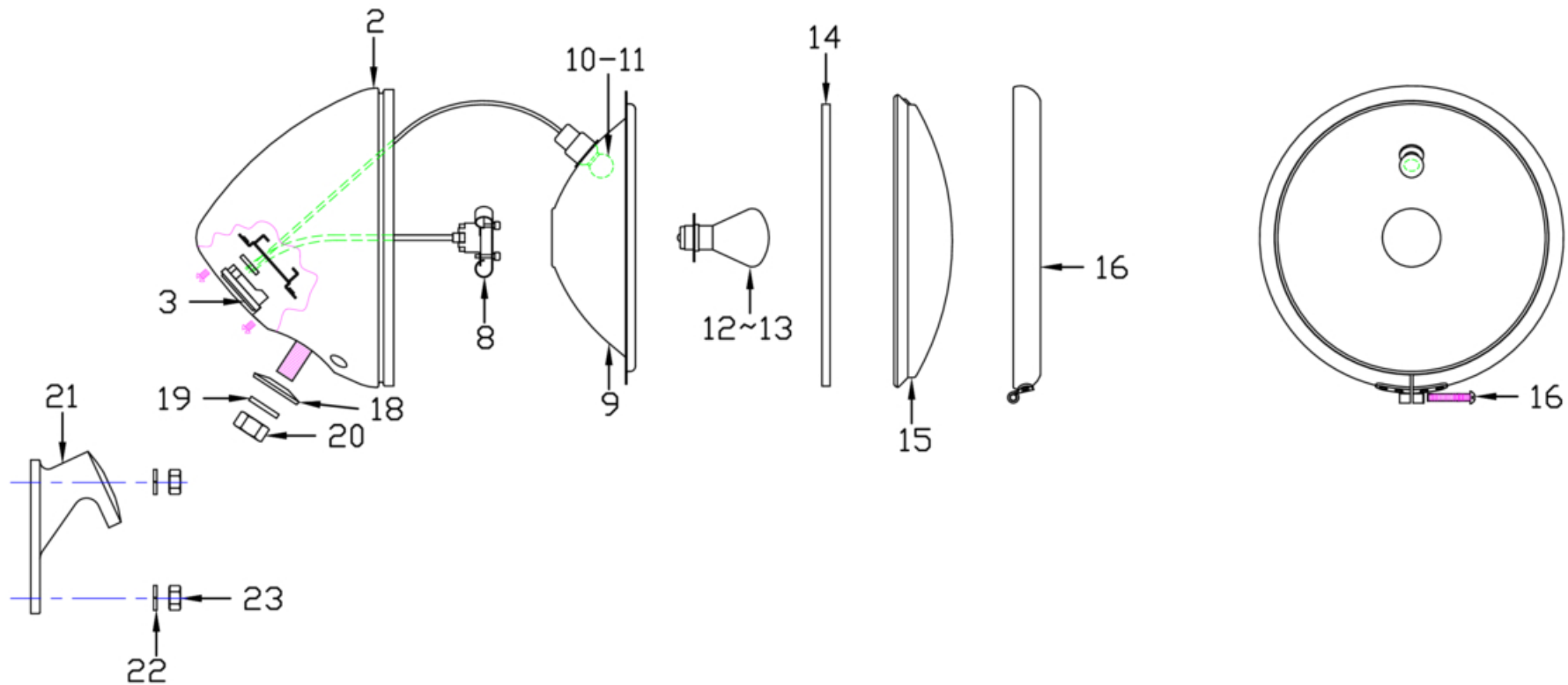


JERRY GREER'S ENGINEERING © 2020

Headlight

Revised: 11-09-2020



Jerry Greer's Engineering - 1940 Chief - Headlight

Ref	Part #	Qty	Description	Price
1	JG-3240	1	MOTOLAMP, 6-Volt, includes park light, painted glossy black	\$550.00
2	102485	1	HEADLIGHT SHELL, MOTOLAMP; Bare Finish	\$225.00
3	JG-3066	1	JUNCTION BLOCK ASSEMBLY, "Motolamp", includes retainer, insulator plate, junction block and washer	\$55.00
4	102488	1	RETAINER, junction block; Cad Plated	\$12.00
5	102490	1	JUNCTION BLOCK INSULATOR PLATE, (Order Kit JG-3066)	\$3.75
6	102487	1	JUNCTION BLOCK, use with JG-3066	\$44.50
7	102489	2	SCREW, #6-32 X .250"(Round Head), Cad Plated	\$0.75
8	102491	1	BULB SOCKET, "MOTOLAMP" headlight, pre-wired	\$75.00
9	101967	1	HEADLIGHT REFLECTOR, park light socket and bulb included; Nickel Plated	\$135.00
10	JG-2662	1	BULB, 6-Volt, parallel pins, .36" Diameter base	\$2.25
11	JG-3229	1	BULB, 12-Volt, parallel pins, .36" diameter base	\$2.25
12	102493	1	BULB, 6-Volt "Motolamp" headlight	\$24.00
13	JG-3128	1	BULB, 12-Volt "Motolamp" headlight	\$15.00
14	102495	1	GASKET, headlight lens	\$7.00
15	102494	1	HEADLIGHT LENS, "MOTOLAMP" new manufacture	\$60.00
16	102496	1	HEADLIGHT RING, ; Chrome Plated	\$175.00
17	102497	1	HEADLIGHT RING SCREW, #8-32 X 1"(Round Head), Cad Plated	\$1.25
18	102498	1	HEADLIGHT WASHER, spherical, large; Cad Plated	\$3.75
19	922009	1	WASHER, 7/16" Split Lock; Cad Plated	\$0.50
20	37316	1	NUT, 7/16"-20(Hex), 5/8" Flats; Cad Plated	\$3.50
21	75539	1	HEADLIGHT BRACKET, ; Bare Finish	\$110.00
22	922007	3	WASHER, 5/16" Split Lock; Cad Plated	\$0.75
23	606010	3	NUT, 5/16"-24(Hex); Cad Plated	\$1.25