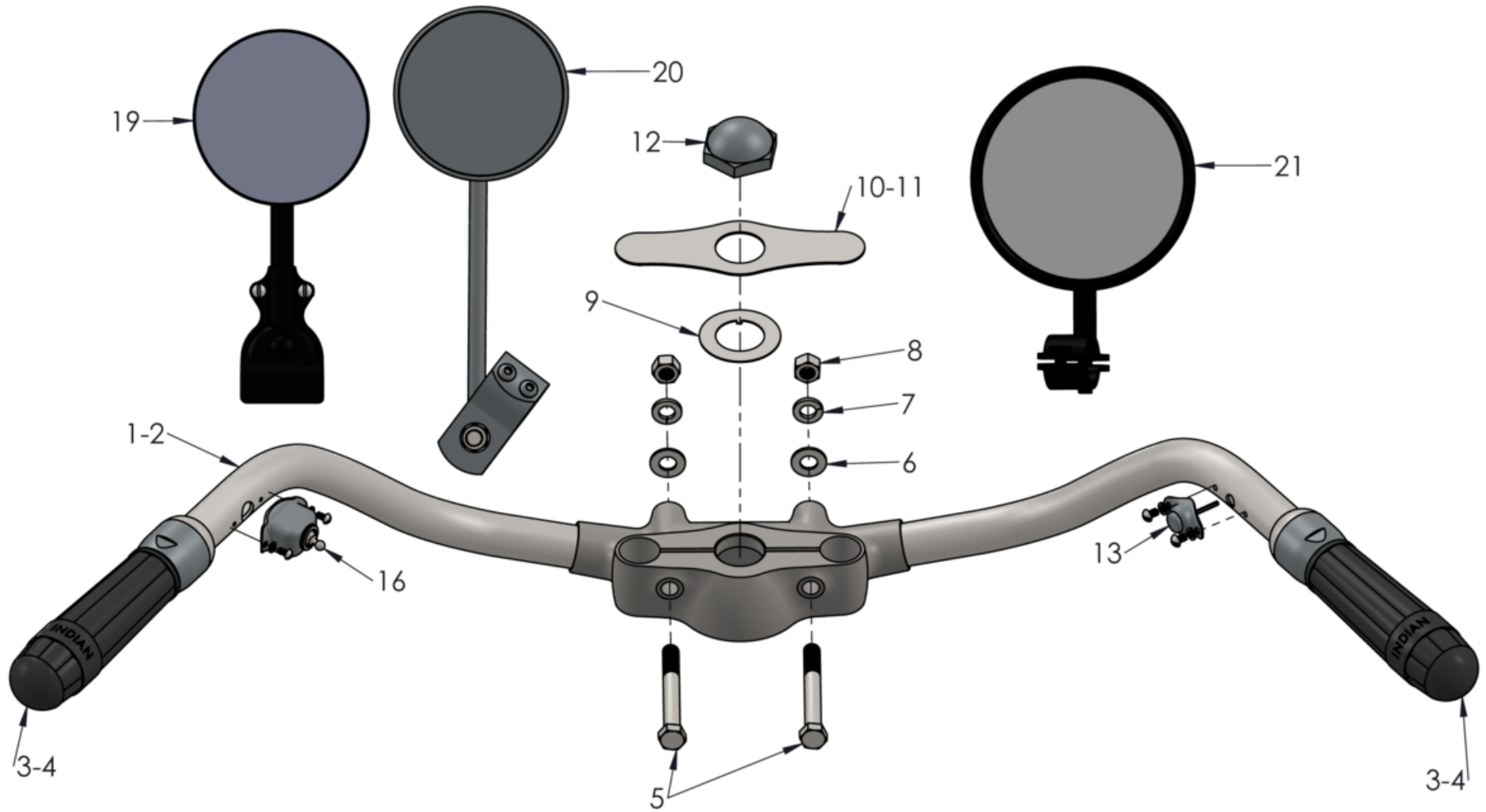


JERRY GREER'S ENGINEERING ©2020

Handlebar Assembly

Revised: 11/9/2020



## Jerry Greer's Engineering - 1940 Chief - Handlebar Assembly

Ref	Part #	Qty	Description	Price
1	93123	1	HANDLEBAR, Bare Finish	\$475.00
2	93123C	1	HANDLEBAR, Chrome Plated	\$525.00
3	28B102	1	GRIPS, Black, rounded tip, ribbed, original Indian design	\$75.00
4	41290	1	GRIPS, Gray, rounded tip, ribbed, original "Indian" design	\$80.00
5	45036	2	BOLT, 3/8"-24 X 3"(Hex); Cad Plated	\$7.00
6	920008	2	WASHER, 3/8" Flat; Cad Plated	\$0.50
7	922008	2	WASHER, 3/8" Split Lock; Cad Plated	\$0.75
8	606012	2	NUT, 3/8"-24(Hex); Cad Plated	\$0.75
9	37508	1	WASHER, 1" internal tab, upper steering head bearing; Cad Plated	\$5.00
10	41908	1	HANDLEBAR COVER PLATE, positioning tabs; Bare Finish	\$22.00
11	JG-3153	1	HANDLEBAR COVER PLATE, positioning tabs; Chrome Plated	\$60.00
12	17B3	1	ADJUSTING CONE NUT, upper steering head bearing; Chrome Plated	\$50.00
13	JG-2454	1	HORN BUTTON, mounting hardware included; Chrome Plated	\$80.00
14	754203	2	SCREW, #8-32 X .250"(Round Head)	\$1.00
15	922003	2	WASHER, #8 Split Lock	\$0.50
16	42372	1	DIMMER SWITCH, mounting hardware included; Chrome Plated	\$250.00
17	102489	2	SCREW, #6-32 X .250"(Round Head), Cad Plated	\$0.75
18	922002	2	WASHER, #6 Split Lock	\$0.50
19	100669	1	MIRROR, 4" Dia,chrome head with painted base as shown in Indian accessory catalog, mounting hardware included	\$225.00
20	590002	1	MIRROR, 4" Dia, modern 3-piece clamp; Chrome Plated	\$40.00
21	JG-2273	1	MIRROR, 5" Dia., handlebar mounted, 1" clamp, black, (vintage looking)	\$45.00