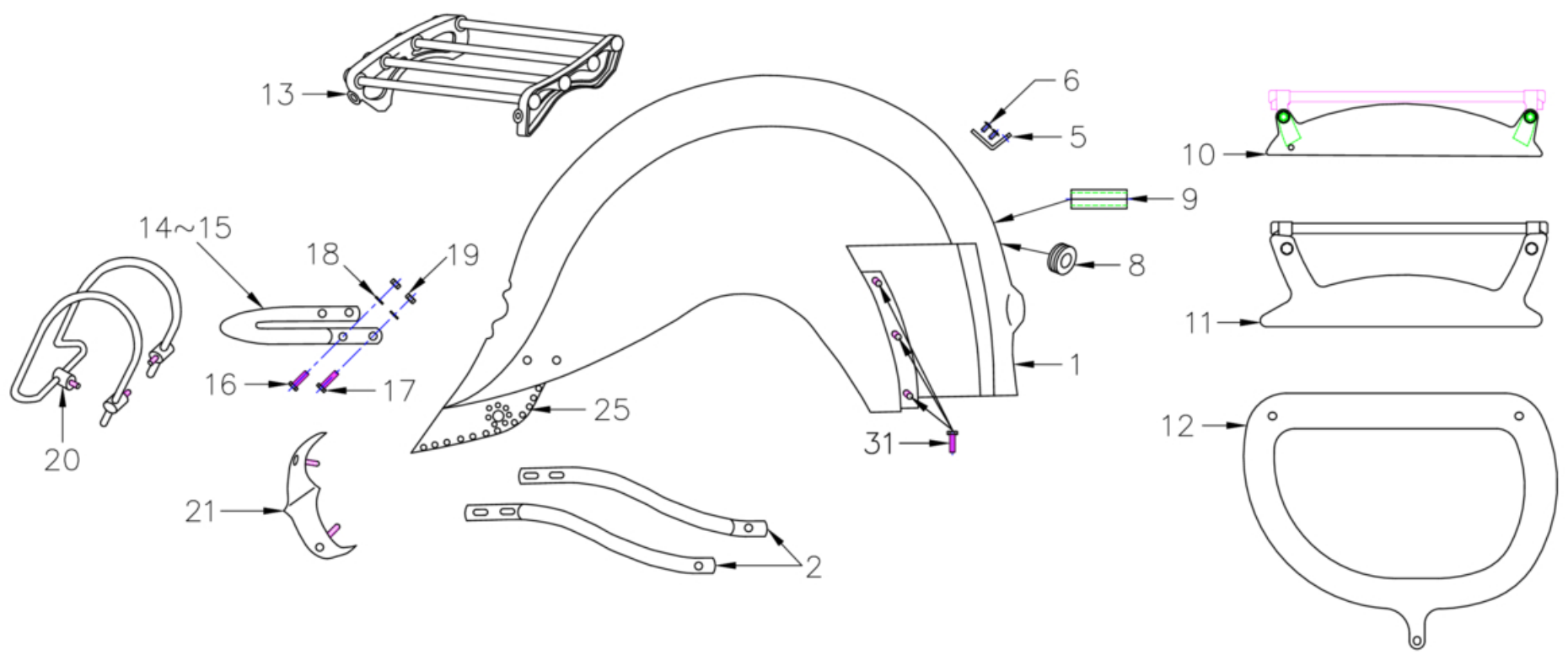
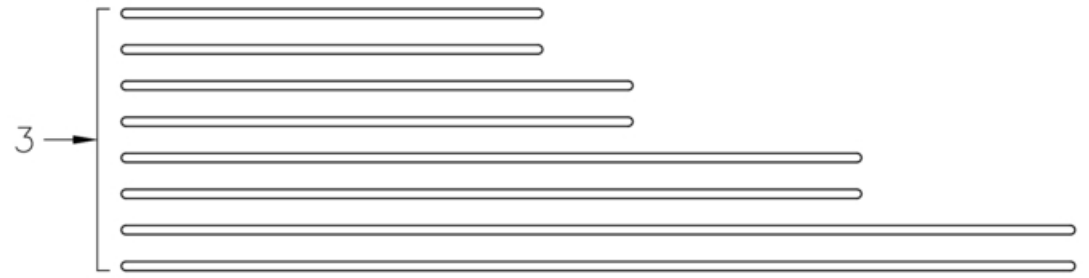


JERRY GREER'S ENGINEERING © 2020

Fender - Rear
Revised: 11-03-2020



Jerry Greer's Engineering - 1940 Chief - Fender - Rear

Ref	Part #	Qty	Description	Price
1	93145	1	REAR FENDER, without mounting holes, braces not included; Bare Finish, use with JG-2656	currently unavailable
2	JG-3225	1	REAR FENDER BRACES, customer to fit; Bare Finish	\$150.00
3	JG-3151	1	TOP & SIDE TRIM, mounting hardware included	\$230.00
4	JG-2635	1	FASTENERS, Side Trim, use with JG-2637, JG-2638, or JG-2677	\$20.00
5	42641	2	REAR FENDER CLIP, fender to frame	\$8.25
6	JG-3680	4	RIVET, 3/16" X 3/8"(Truss Head)	\$0.75
7	JG-2656	1	FASTENERS, Rear Fender mounting	\$65.00
8	42166	1	GROMMET, tail light wire	\$1.50
9	42665	1	SPEEDOMETER CABLE COVER, rubber, for speedometer cable through fender	\$3.25
10	JG-4215	1	SADDLEBAG MOUNT ASSEMBLY, includes hardware, heavy duty, use with luggage rack 75673	\$80.00
11	JG-2917	1	SADDLEBAG MOUNT ASSEMBLY, includes hardware, heavy duty, use with luggage rack 75673	\$80.00
12	JG-3411	1	SADDLEBAG MOUNT ASSEMBLY, includes hardware, heavy duty, used with rear crashbars, raises the bags higher, use with luggage rack 75673	\$80.00
13	75673	1	LUGGAGE RACK, four tube style, heavy duty, cast iron, use with saddlebag mounts, JG-2917 or JG-3411, includes mounting hardware	\$350.00
14	JG-3226	1	REAR BUMPER, needs to be fitted; Bare Finish	\$75.00
15	75591	1	REAR BUMPER, ; Chrome Plated(Aftermarket)	\$40.00
16	207012	2	BOLT, 1/4"-28 X .875"(Hex)	\$2.75
17	207013	2	BOLT, 1/4"-28 X 1"(Hex)	\$3.25
18	922006	4	WASHER, 1/4" Split Lock; Cad Plated	\$0.75
19	606008	4	NUT, 1/4"-28(Hex); Cad Plated	\$0.75
20	244002	1	REAR BUMPER, Defender style, easily attached, mounting hardware included; Chrome Plated	\$425.00
21	160025	1	REAR FENDER TIP, mounting hardware included; Chrome Plated	currently unavailable
22	JG-3353	2	SCREW, #8-32 X 0.750" (Oval Head)	\$0.50
23	922003	2	WASHER, #8 Split Lock	\$0.50
24	604003	2	NUT, #8-32(Hex)	\$0.75
25	160019	1	MUD FLAP, black leather, wrap around with 60 Nickel Plated spots, and 3 sets of round spot patterns, includes fastener kit JG-2906	\$140.00

Jerry Greer's Engineering - 1940 Chief - Fender - Rear

Ref	Part #	Qty	Description	Price
26	JG-2906	1	FASTENERS, mud flap mounting, used with 160019 & 160020	\$12.25
27	754407	5	SCREW, #10-32 X .500"(Round Head); Cad Plated	\$0.75
28	920003	5	WASHER, #8 Flat; Cad Plated	\$0.75
29	922004	5	WASHER, #10 Split Lock; Cad Plated	\$0.75
30	604005	5	NUT, #10-32(Hex)Cad Plated	\$0.50
31	JG-4144	3	CHAIN GUARD BOLT, cut to fit; Cad Plated	\$2.00