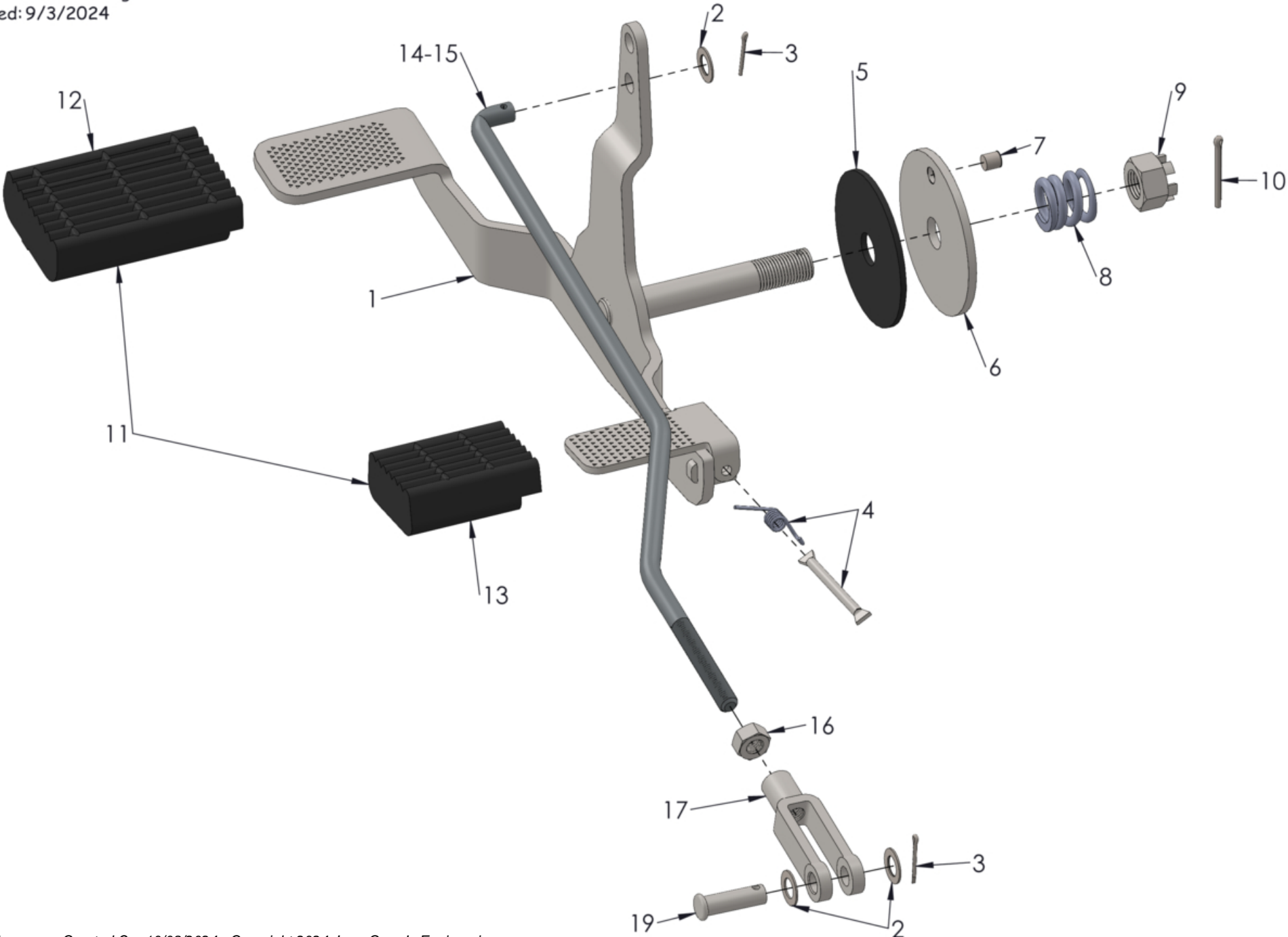


JERRY GREER'S ENGINEERING©2024

Clutch Pedal & Linkage

Revised: 9/3/2024



## Jerry Greer's Engineering - 1940 Chief - Clutch Pedal & Linkage

Ref	Part #	Qty	Description	Price
1	75631	1	CLUTCH PEDAL ASSEMBLY, hinged heel pad; Bare Finish	\$100.00
2	D24275	3	FLAT WASHER, .328" I.D, .022" Thick; Stainless	\$0.50
3	636104	2	COTTER PIN, 3/32" X 1/2"	\$1.00
4	JG-2081	1	HINGED HEEL PAD, pin and spring	\$22.00
5	20B312	1	CLUTCH PEDAL FRICTION WASHER, composite material	\$10.00
6	28B58	1	CLUTCH PEDAL FRICTION PLATE, Steel; Cad Plated	\$9.00
7	28B55	1	CLUTCH PEDAL FRICTION PIN, 1/4" X 1/4"	\$1.00
8	20B313	1	SPRING, .84" X .84" long, compression	\$6.50
9	603016	1	NUT, 1/2"-20(Castle)	\$6.50
10	636107	1	COTTER PIN, 3/32" X 1"	\$0.50
11	540022	1	PEDAL COVERS, rubber, (2 clutch, 1 brake)	\$40.00
12	JG-5596	1	CLUTCH PEDAL COVER, front, replacement	\$10.00
13	JG-5595	1	CLUTCH PEDAL COVER, rear, replacement	\$10.00
14	42588	1	CLUTCH ROD, release; Chrome Plated	\$80.00
15	JG-3492	1	CLUTCH ROD, release; Cad Plated	\$50.00
16	606010	1	NUT, 5/16"-24(Hex); Cad Plated	\$1.25
17	24B6	1	CLEVIS, release rod; Cad Plated	\$12.00
18	JG-2485	1	FASTENER, Clutch Pedal clevis & pin	\$6.50
19	24B7	1	CLEVIS PIN, 5/16" X 1"; Cad Plated	\$5.25